

DAY 2 - COMPETITION

STATEMENT

Hello my name is _____. I am the mine foreman here at the mine. Last night on the midnight shift we had eight employees go underground to build stoppings, clean and rock dust, wash equipment and do routine maintenance work on our equipment. Our fire boss arrived at the mine at approximately 5:00 am and attempted to contact the crew before starting his examination of the mine. He was unable to reach anyone underground. This was very unusual so he traveled to the section to determine what kind of problem existed. When he got four breaks from the face area he encountered accumulations of water in No. 3 entry, a caved area in No. 2 and an explosive range of methane in No. 1 entries. All of these conditions were not present from the previous shift. He decided to return to the surface to get help and notify designated persons in the mine emergency plan. I arrived at the mine site at 7:00 am and notified all agencies and contacted our mine site rescue team and two contract teams in the area. Your team is the first to arrive at the mine site.

The mine is ventilated with a blowing fan located in No. 2 entry on the surface of the mine. Number 1 entry and Number 3 entry are normally designated as the returns for the mine. This is all the information that I have at this time. You will be provided a mine map and a written statement when you have started the clock.

Good Luck

WRITTEN STATEMENT

Explore the mine

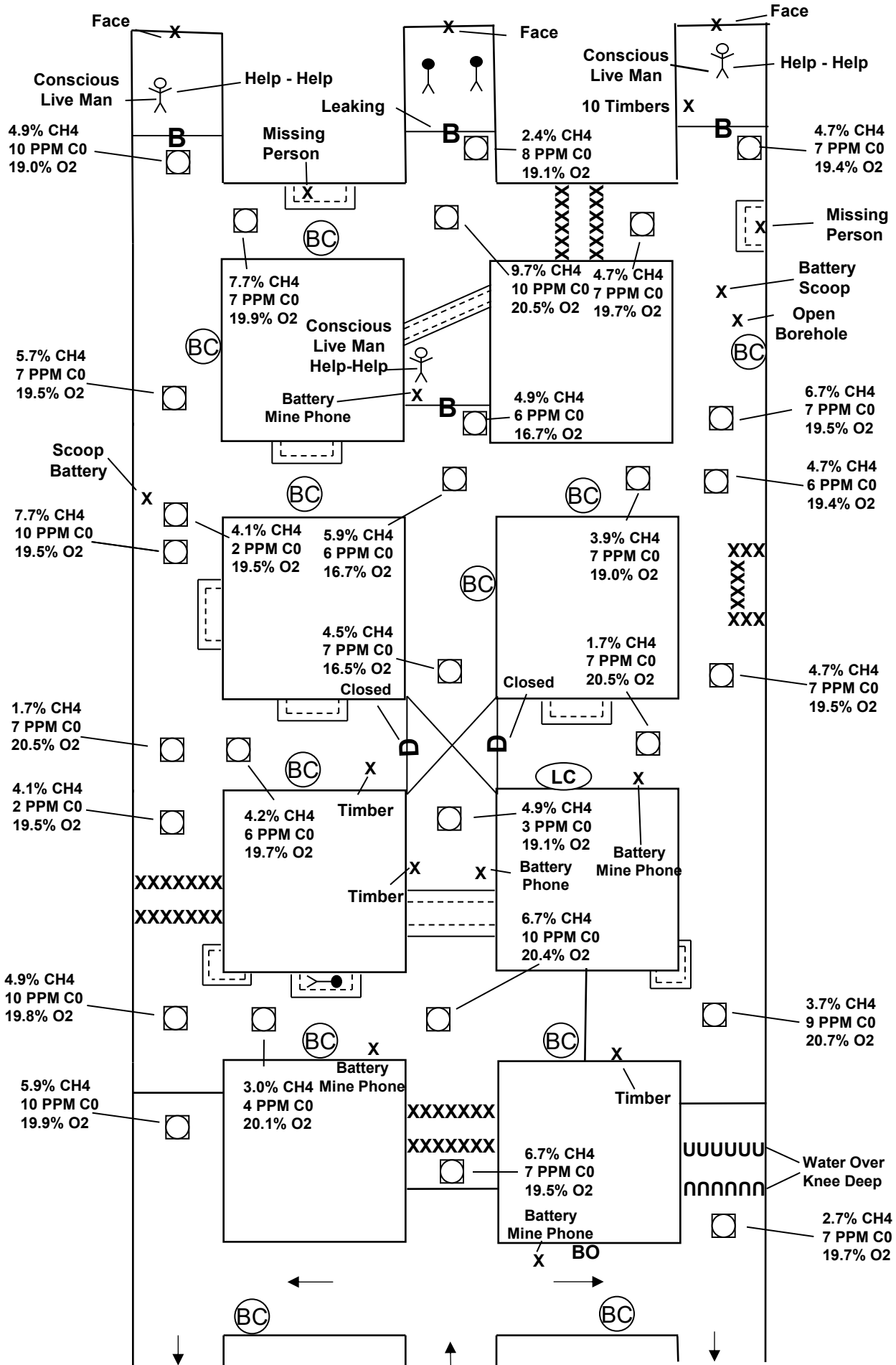
Rescue all survivors

Bring survivors to the surface of the mine

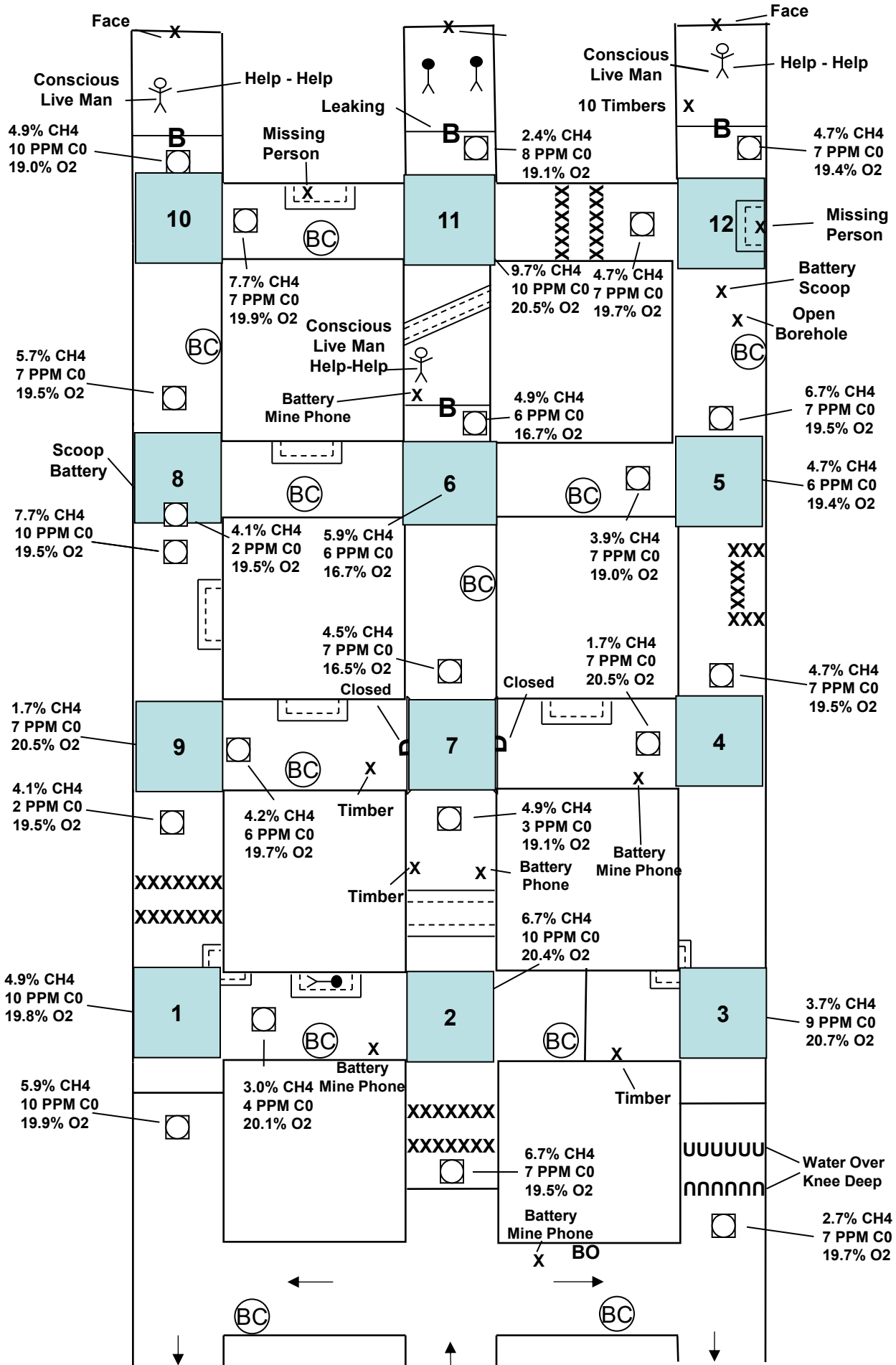
Team can only carry two brattice clothes when traveling

The fan cannot be stopped, stalled, or reversed

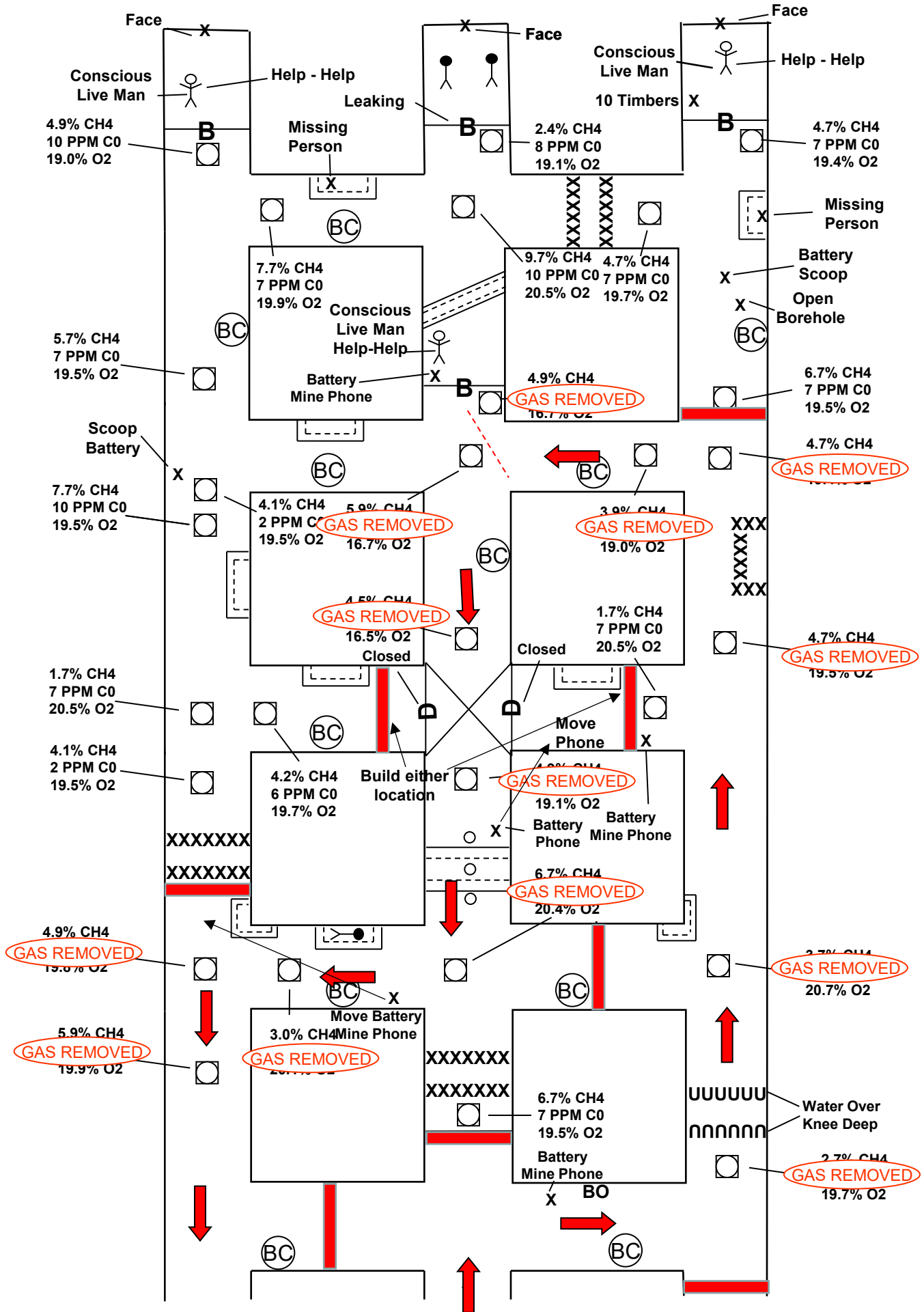
DAY TWO - COMPETITION



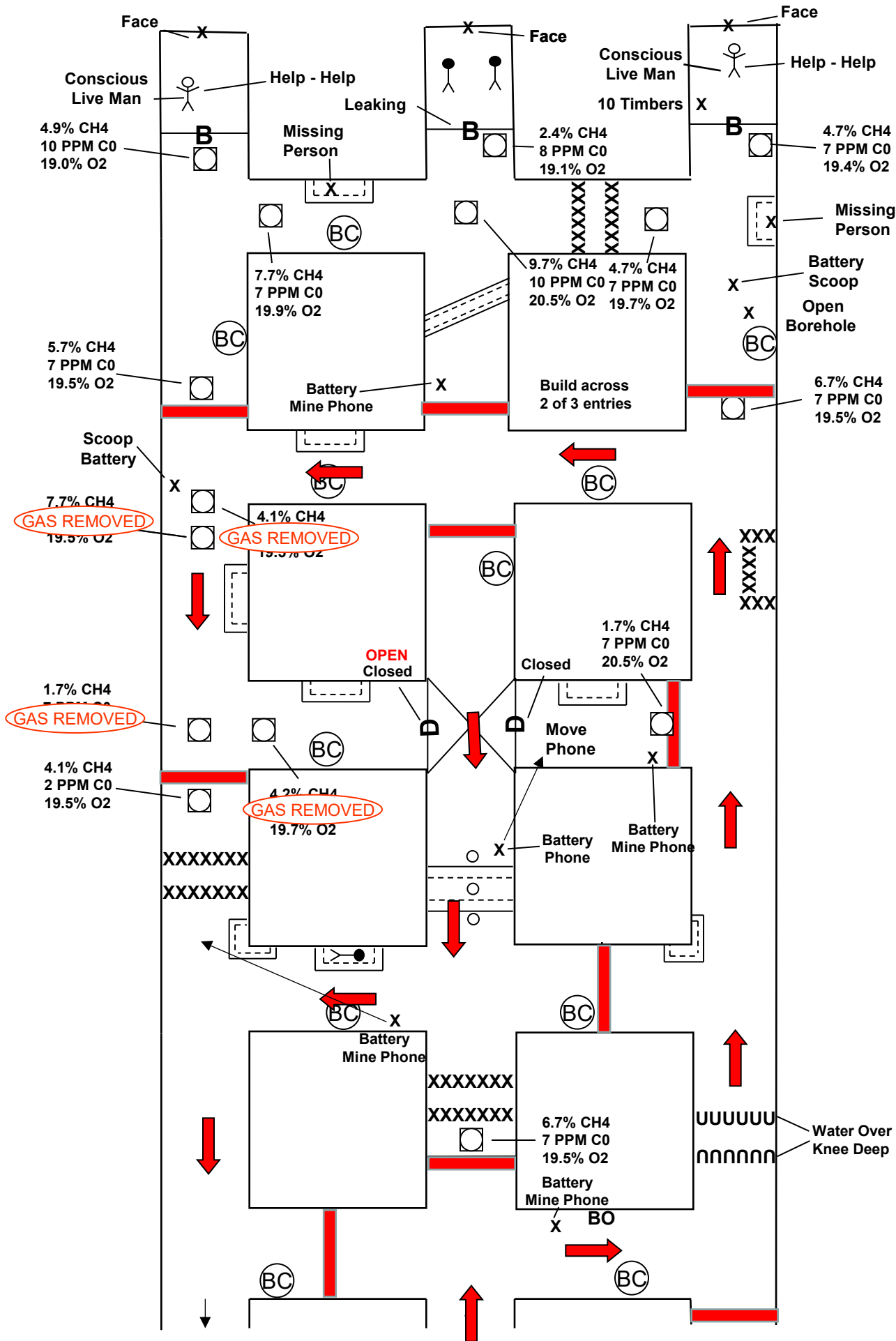
DAY TWO – PROCEDURE



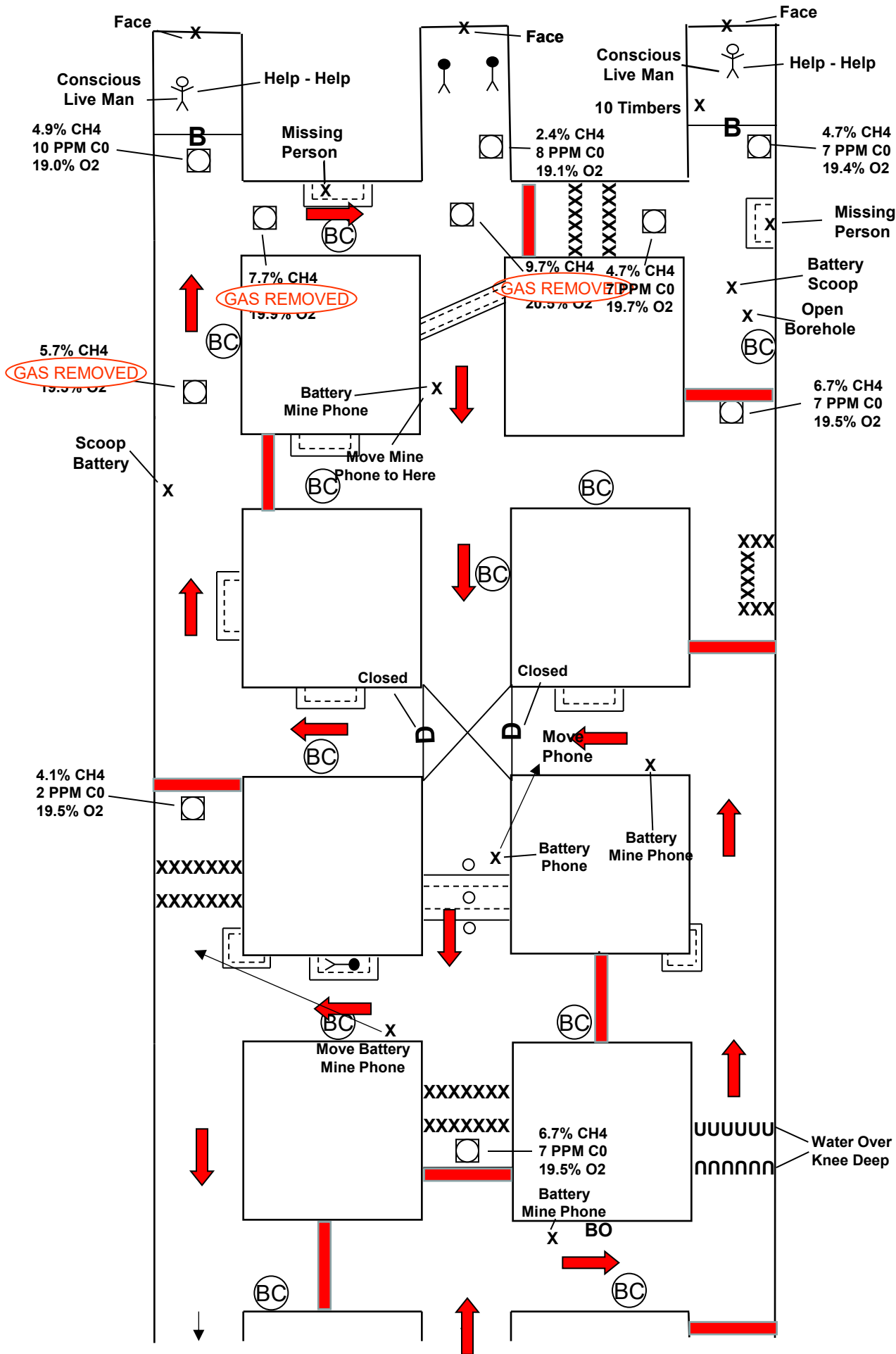
DAY TWO - 1ST VENTILATION



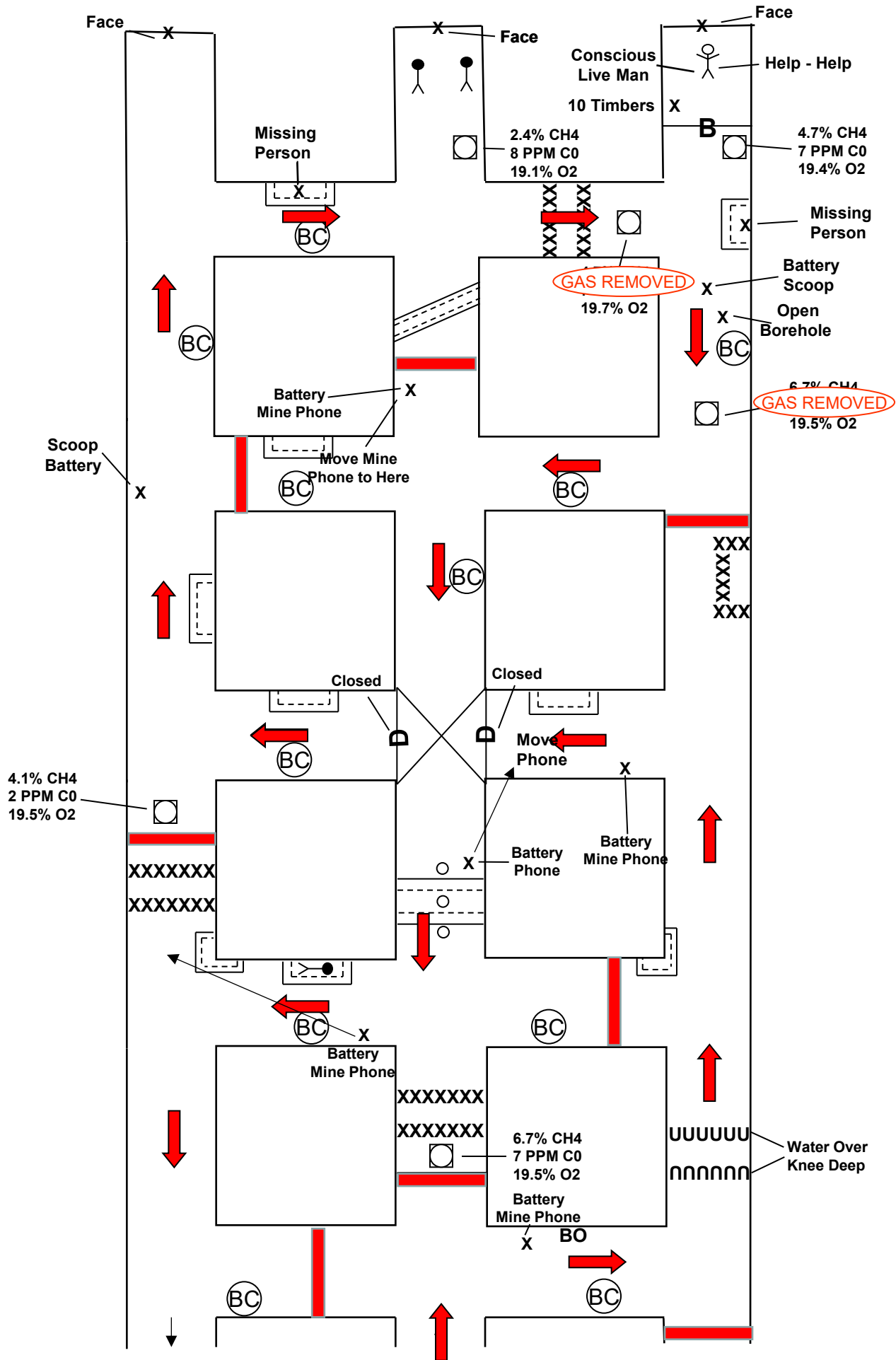
DAY TWO – 2nd VENTILATION



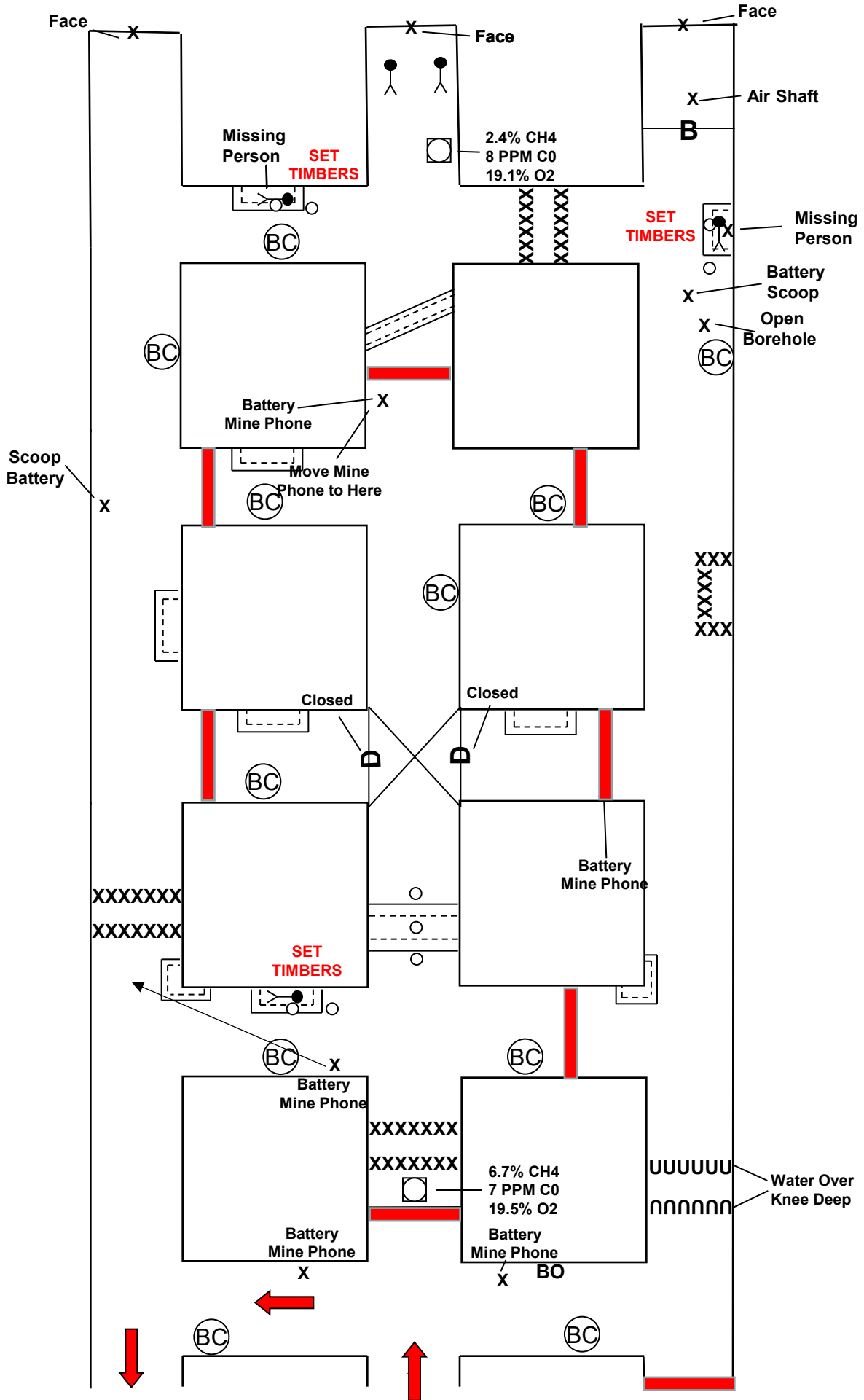
DAY TWO – 3rd VENTILATION

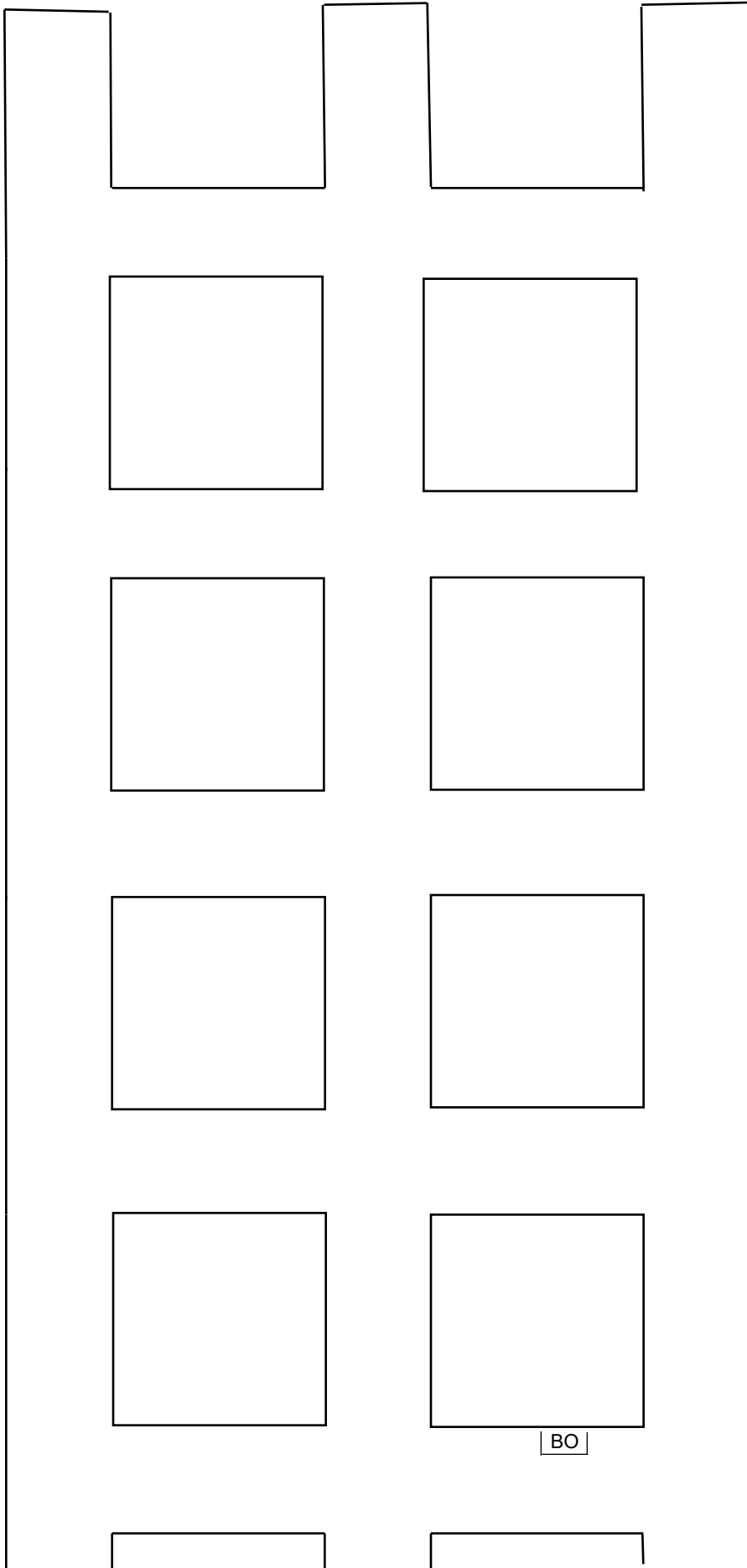


DAY TWO – 5th VENTILATION



DAY TWO – LAST STEP





FINAL VENTILATION MAP

Mine Foreman

Team Captain

Team Number

BO