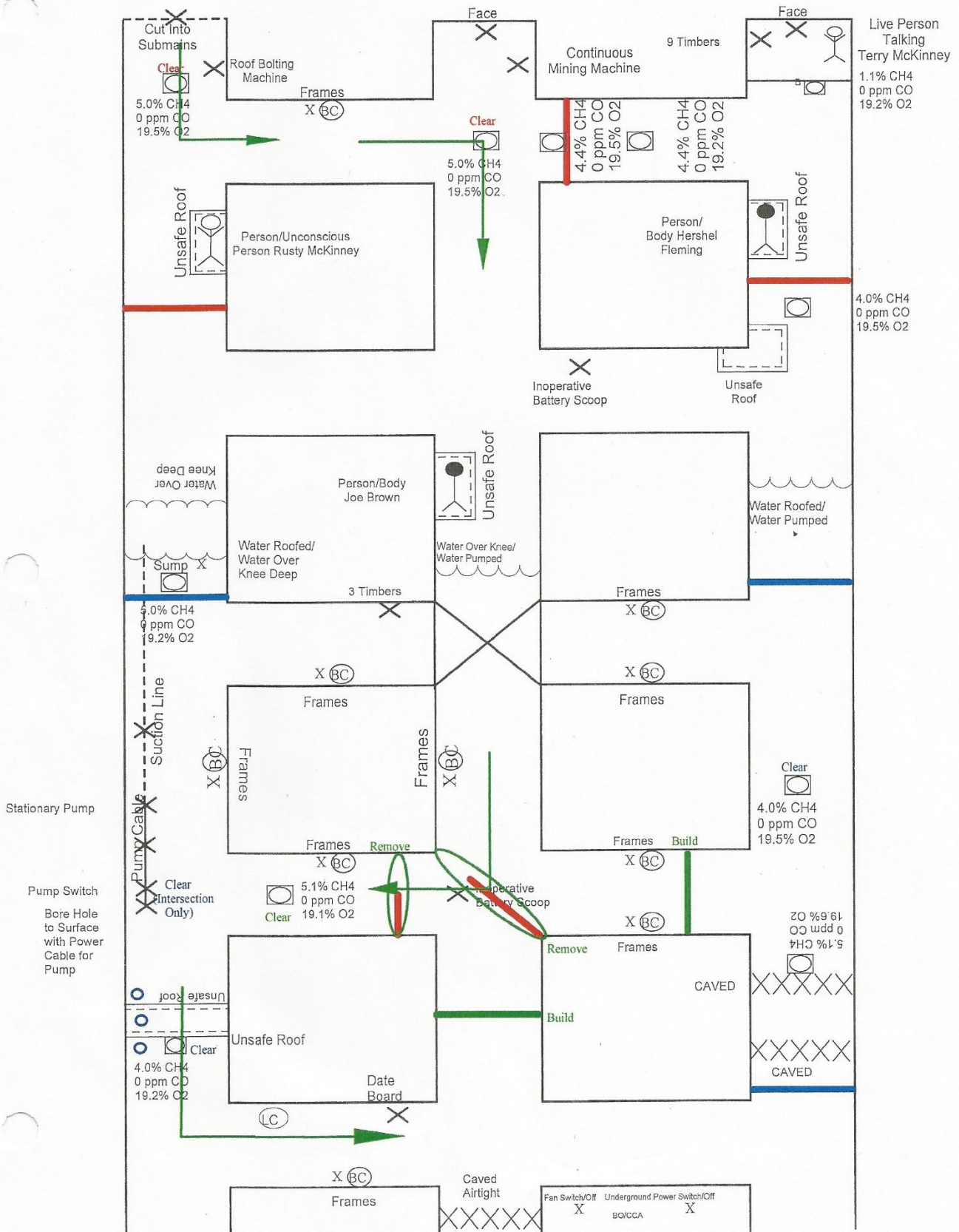


Virginia Mining Institute

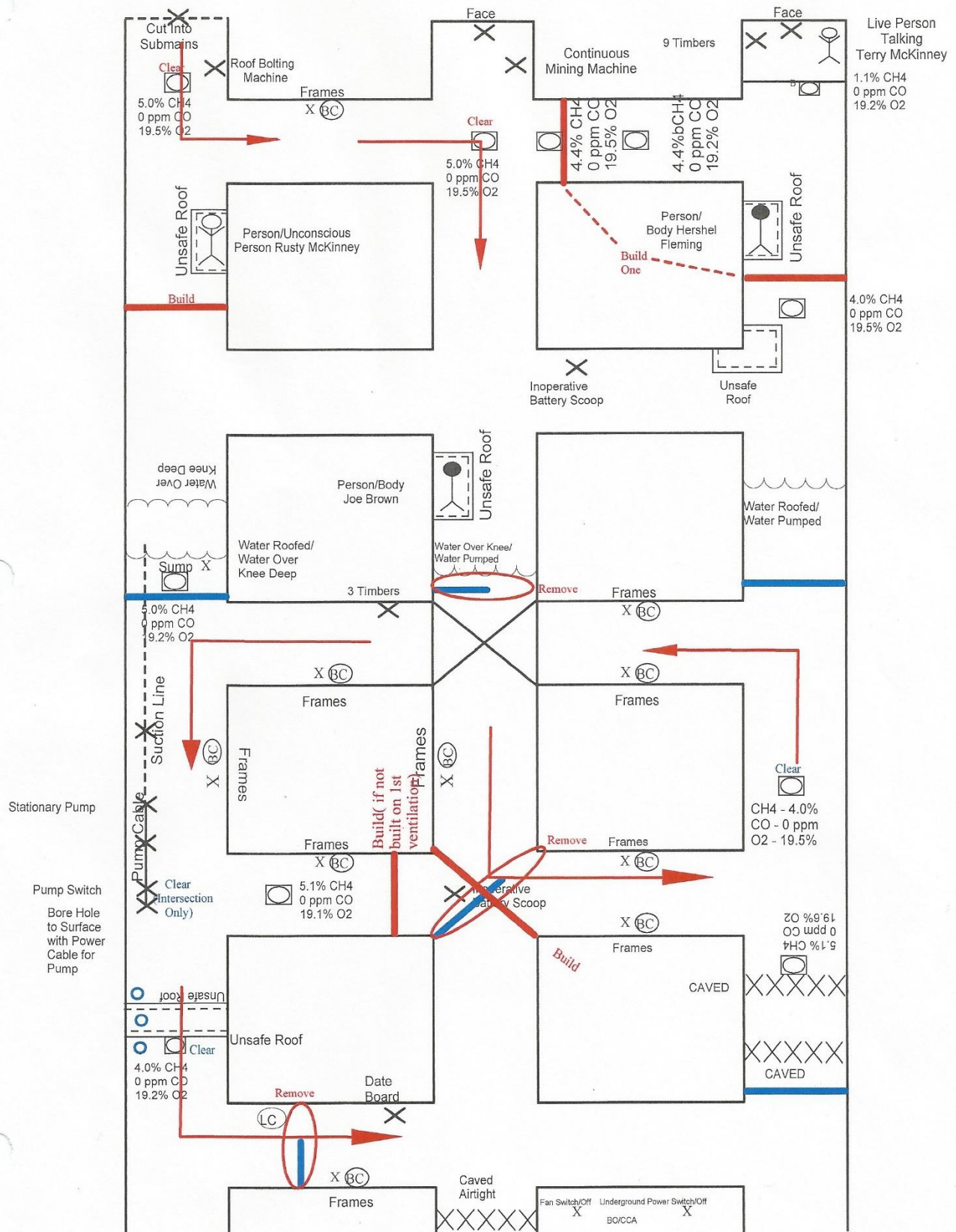
V-1-18

3rd Ventilation



Virginia Mining Institute V-1-18

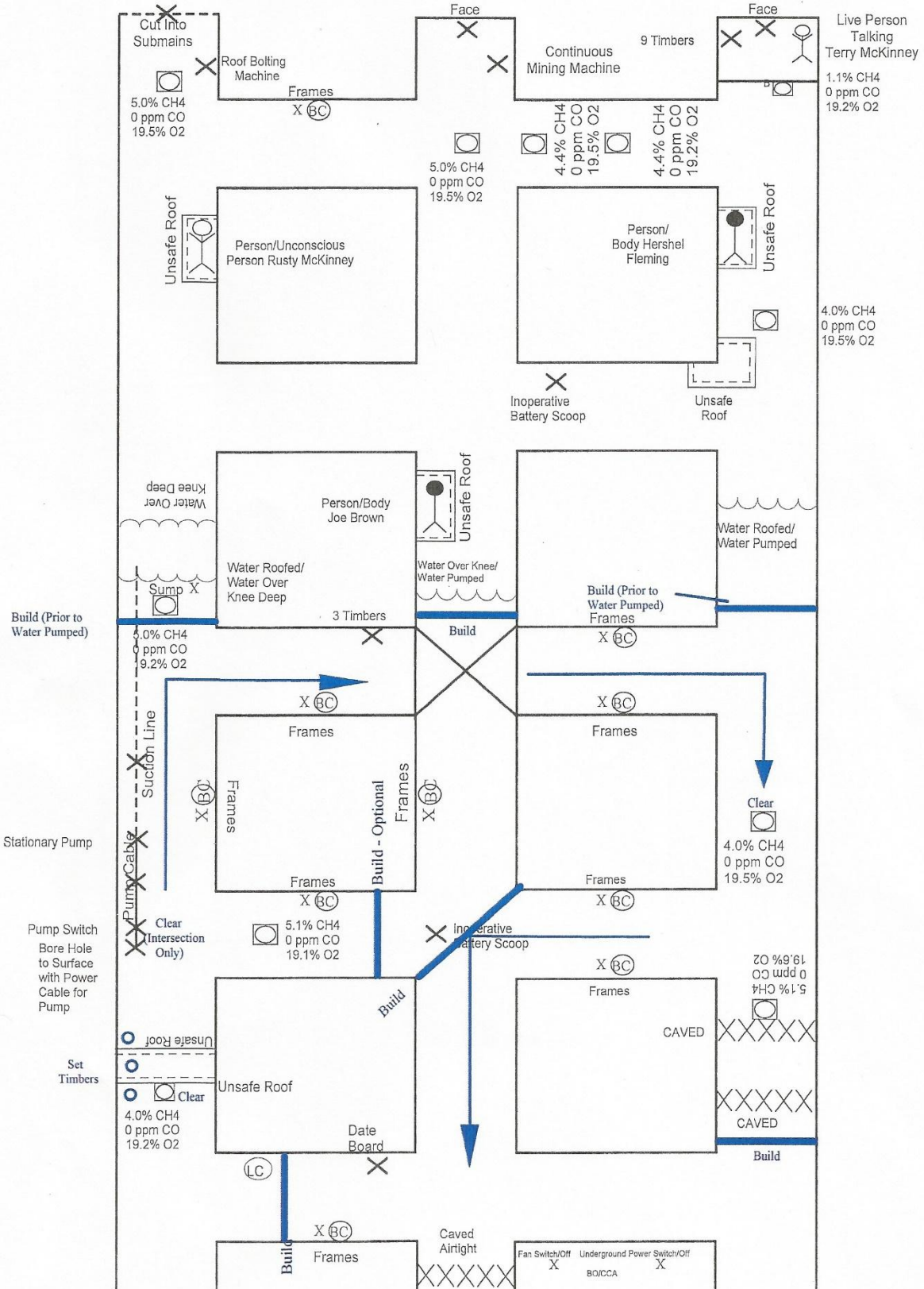
2nd Ventilation



Virginia Mining Institute

V-1-18

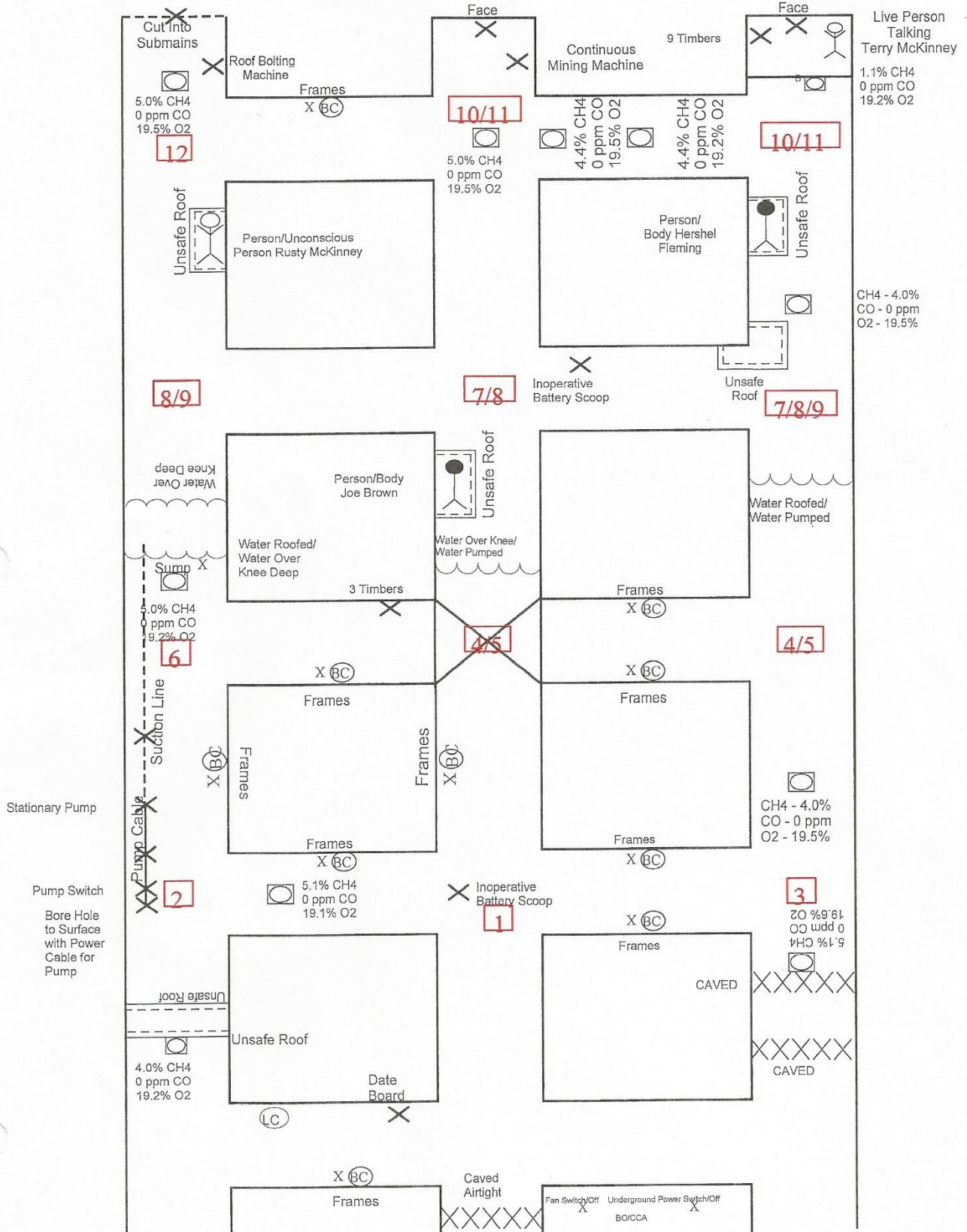
1st Ventilation



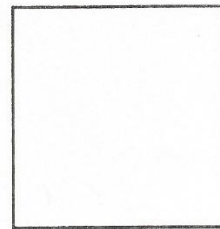
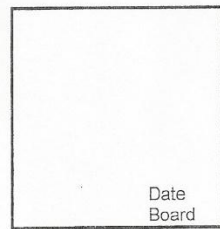
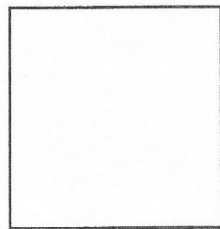
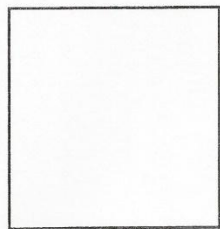
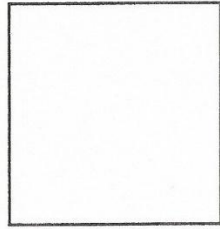
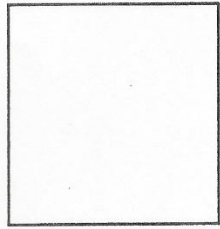
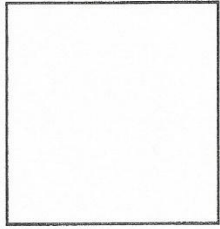
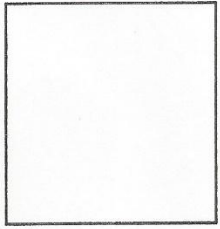
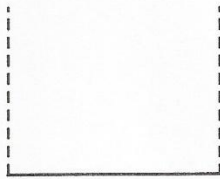
Virginia Mining Institute

V-1-18

Team Stops



Virginia Mining Institute V-1-18



X (C)

Frames

Caved
Airtight

XXXXXX

Fan Switch/Off

X

Underground Power Switch/Off

X

BO/CCA

**Virginia Mining Institute
V-1-18
Team Note**

(To be given to team when team reaches area where cut into
submains)

**Another mine rescue team has
explored the submains to this point.
Air from the submains can be used for
ventilation if needed.**

Virginia Mining Institute

V-1-18

Patient Note

(Patient Behind barricade in no.3 entry)

“Help, Help, get me out”.

V-1-18
Team Instructions
Problem

- Rescue all live persons and bring them to the surface.
- Account for all missing miners.
- Once started, the mine fan cannot be stopped, stalled, or reversed.
- The team cannot move any ventilation control that is anchored to the ground.
- Team cannot travel into any area previously explored by other mine rescue teams.
- A time limit of 90 minutes has been established for this problem. The team will be advised 10 minutes prior to this time limit expiring.

**V-1-18
Statement**

Thank you for answering the Virginia Mining Company's Mountaineer Mine call for help. You will be located underground at the Fresh Air Base.

The mine is ventilated by an exhaust fan located on the surface. Air normally enters the section through the no. 1 entry and no. 2 entry and returns out the no. 3 entry.

The fan is currently off, but can be started by contacting the Command Center.

Electrical power to the underground area of the mine has been de-energized and locked out on the surface, but can be energized by contacting the Command Center.

Last night at 12:01 AM, five miners entered the mine and were to mine the working section into a set of submains. At 4:00 AM, one of the miners exited the mine stating the section had experienced an ignition. He tried to find the other miners, but started feeling light headed and came out. Attempts to contact the miners have been unsuccessful.

The mine has a history of methane, bad roof, and water, and has recently encountered severe grades on the section dipping toward the no. 1 entry. Due to the grades and water, a sump was cut in the no. 1 entry with a stationary pump. The water will roof in the no. 1 entry if the pump is not running. The mine maps are not up-to-date. Both agencies have been notified and are present. A backup mine rescue team is present. We have a competent lifeline judge available. Two blank maps and the team's written instruction will be provided when you are ready to begin working.

Welcome to the 52nd Consecutive Virginia Mining
Institute Safety Day Contest
2018



"Mine Safety Through Education And Training"

VIRGINIA MINING INSTITUTE

Day 1



SAFETY FIRST