





18. Never pry an O-ring from its glands with a \_\_\_\_\_. Remove O-rings by hand or with the pick tool provided in the service kit.

wrench

screwdriver

pry-bar

19. Cylinders are to be retired from service \_\_\_-years after the date of manufacture.

15

10

5

20. The Alarm module will require \_\_\_\_\_ if any damage to the housing is discovered.

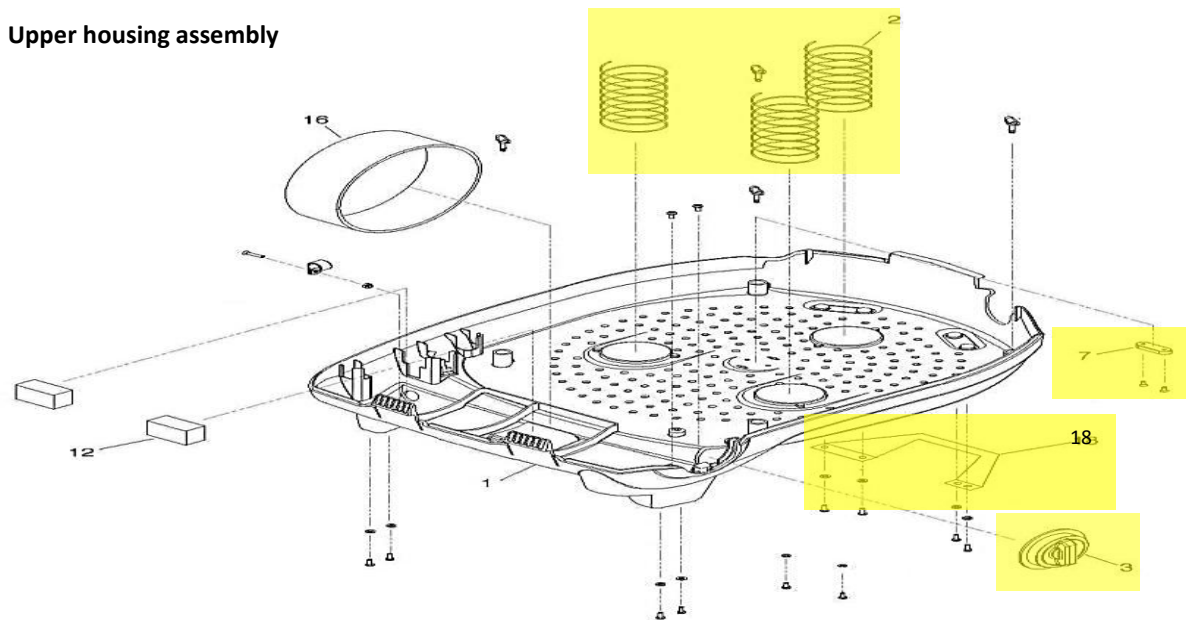
servicing

attention

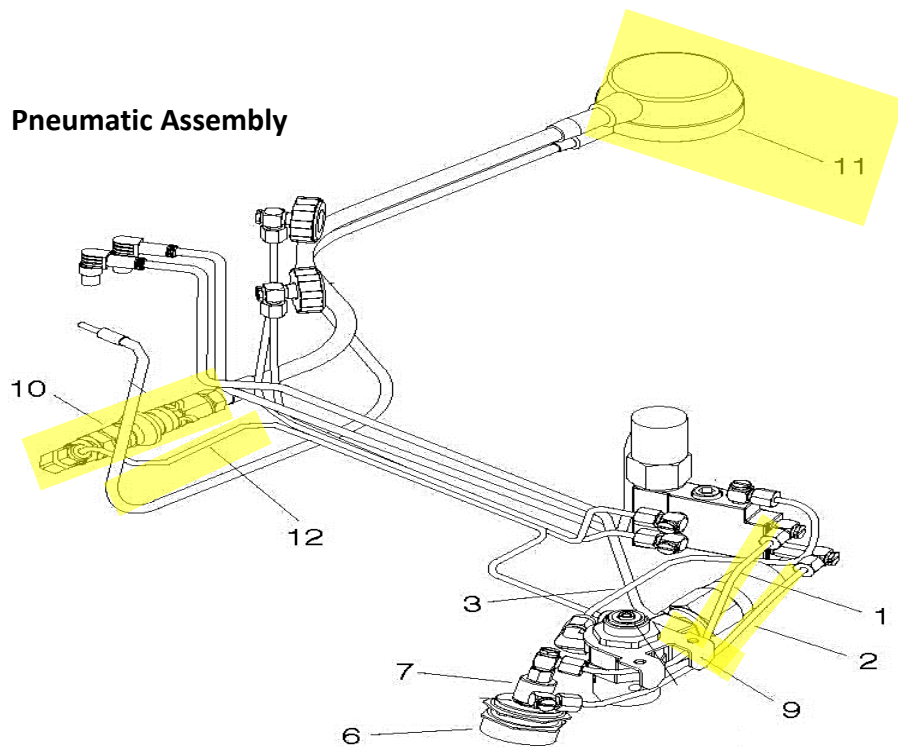
replacement

## Identification of Parts

21. Item # 3 of the upper housing assembly drawing  
oxygen cylinder knob    external oxygen knob    green knob
22. Item # 2 of the upper housing drawing  
Coil spring    Stainless coil spring    Diaphragm springs
23. Item # 7 Of the upper housing drawing  
diaphragm spacer    vent spacer    key spacer
24. Item # 18 of the upper housing drawing  
Hold down strap    hold down grip    carrying handle



- 25. Item # 1 of the Pneumatic Assembly  
 supply line                      oxygen supply line                      bypass feed tube
- 26. Item # 2 of the Pneumatic Assembly  
 bypass line                      bypass return tube                      supply line
- 27. Item # 11 of the Pneumatic Assembly  
 gauge visor                      remote assembly                      remote gauge assembly
- 28. Item # 9 of the Pneumatic Assembly  
 Oxygen regulator assembly                      regulator assembly                      regulator
- 29. Item # 10 of the Pneumatic Assembly  
 remote shut off    remote shut off gauge    remote gauge shut off assembly
- 30. Item # 12 of the Pneumatic Assembly  
 Remote Gauge feed tube Assembly                      Feed Tube                      Remote feed Tube



## 2017 BIOPAK 240 R Written Test Answers

- |                |       |                 |       |
|----------------|-------|-----------------|-------|
| 1. medically   | SF 5  | 17. inspected   | SF 50 |
| 2. sparks      | SF 7  | 18. screwdriver | SF 55 |
| 3. user        | SF 10 | 19. 15          | SF 59 |
| 4. pressure    | SF 13 | 20. replacement | SF 60 |
| 5. ignite      | SF 9  |                 |       |
| 6. connected   | SF 22 |                 |       |
| 7. immediately | SF 25 |                 |       |
| 8. cleaners    | SF 28 |                 |       |
| 9. washer      | SF 30 |                 |       |
| 10. prevent    | SF 33 |                 |       |
| 11. 8          | SF 34 |                 |       |
| 12. prevent    | SF 38 |                 |       |
| 13. Orbsorb    | SF 40 |                 |       |
| 14. installed  | SF 42 |                 |       |
| 15. versions   | SF 45 |                 |       |
| 16. 1500       | SF 48 |                 |       |

## **2017 BIOPAK 240 R Identification of Parts Answers**

- 21. external oxygen knob**
- 22. diaphragm springs**
- 23. vent spacer**
- 24. carrying handle**
- 25. bypass feed tube**
- 26. bypass return tube**
- 27. Remote Gauge assembly**
- 28. oxygen regulator assembly**
- 29. Remote Gauge Shut Off Assembly**
- 30. Remote Gauge Feed Tube Assembly**