

2016 Post #6 BIO PAK 240 R Written Test

Contestants Name: _____ Team Name: _____

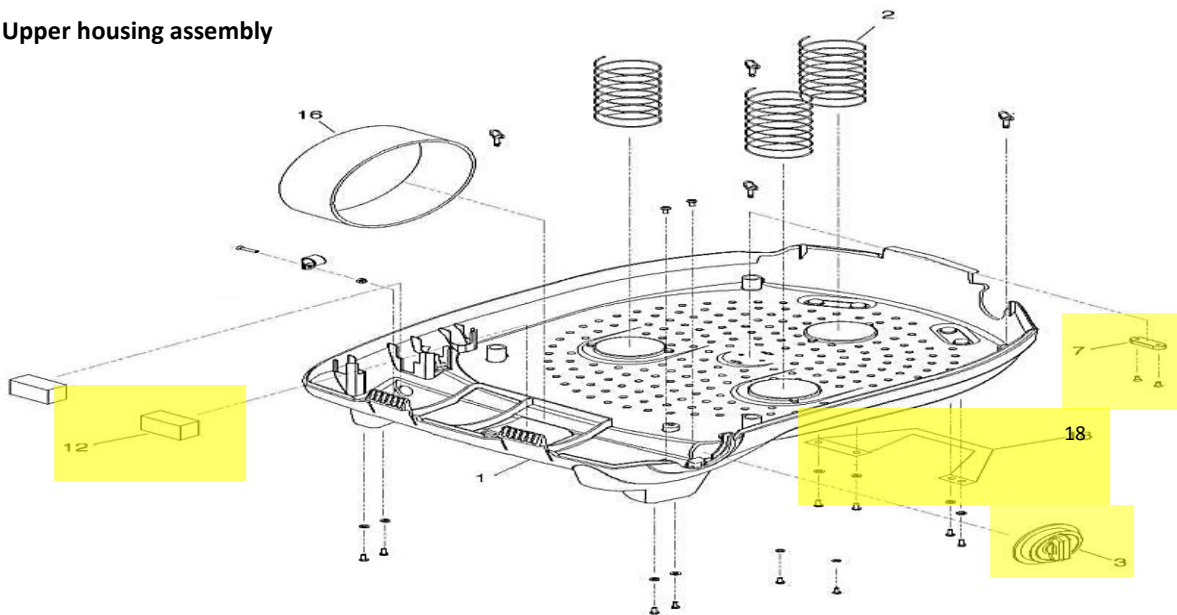
1. Prior to using the BioPak 240 Revolution it must be determined that the user is _____ fit.
physically mentally medically
2. Do not open the cylinder valve in the presence of open flame, _____ or high radiant heat.
sparks oil low
3. The use of an SCBA will add to the workload and stress of the _____.
wearer user person
4. A foreign _____ may cause cylinder corrosion.
body gas object
5. DOT requires carbon fiber wrapped aluminum cylinders be tested by an approved facility on a ___-year cycle from the date of manufacture.
2 10 5
6. The fiber optic cable may only be _____ to the BioPak 240R remote gauge assembly.
attached connected assembled
7. _____ after completion of BioPak use, remove the used CO2 scrubber canisters.
soon shortly immediately
8. Use only _____ and disinfectants that are approved by Bio marine.
cleaners cleansers soaps
9. Remove the oxygen cylinder making sure the seal _____ remains in place and install the regulator cover.
gasket o-ring washer

19. Cristo-Lube and Dow-111 are the only _____ approved for use in the apparatus.
 lubricants chemicals pastes
20. The Alarm module will require _____ if any damage to the housing is discovered.
 servicing attention replacement

Identification of Parts

21. Item # 3 of the upper housing assembly drawing
 green knob oxygen knob external oxygen knob
22. Item # 7 of the upper housing drawing
 spacer bar vent spacer vent valve spacer
23. Item #12 of the upper housing drawing
 foam pad vibration pad latch foam pad
24. Item # 18 of the upper housing drawing
 Hold down strap hold down grip carrying handle

Upper housing assembly



29. Item # 3 of the Center Section Lid Assembly

scrubber holder

scrubber brace

flow baffle

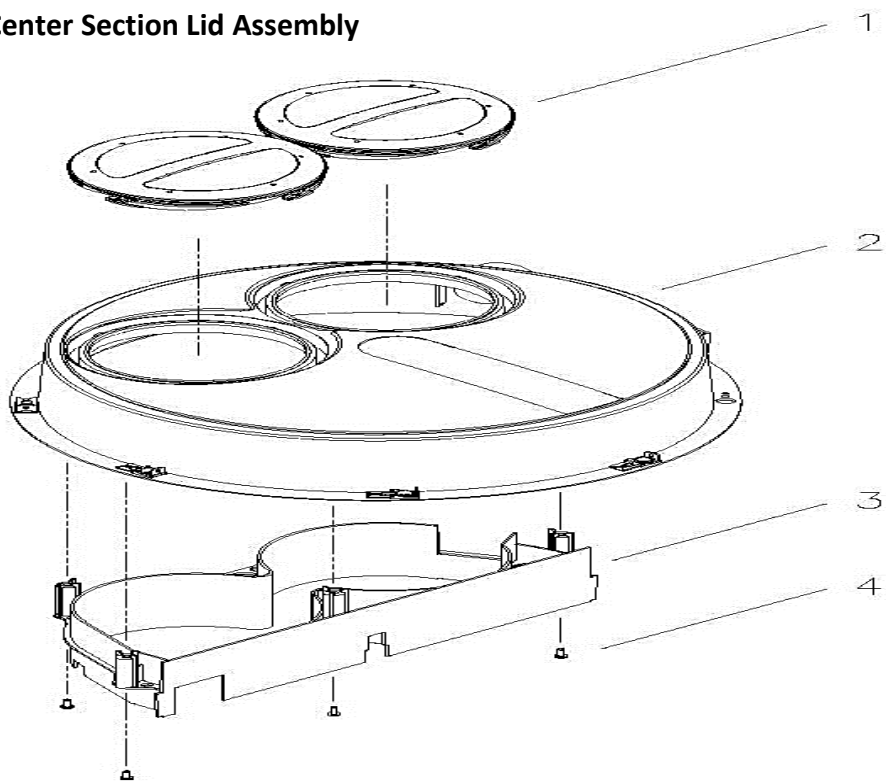
30. Item #4 of the Center Section Lid Assembly

Metal screw

self-tapping screws

stainless screw

Center Section Lid Assembly



2016 BIO PAK 240 R Written Test Answers

- 1. medically**
- 2. sparks**
- 3. user**
- 4. Gas**
- 5. 5**
- 6. connected**
- 7. immediately**
- 8. cleaners**
- 9. washer**
- 10. prevent**
- 11. minimum**
- 12. prevent**
- 13. Orbsorb**
- 14. apparatus**
- 15. versions**
- 16. 1500**
- 17. inspected**
- 18. screwdriver**
- 19. lubricants**
- 20. replacement**

2016 BIO PAK 240 R Identification of Parts Answers

- 21. external oxygen knob**
- 22. vent spacer**
- 23. latch foam pad**
- 24. carrying handle**
- 25. bypass feed tube**
- 26. bypass return tube**
- 27. bypass valve push button**
- 28. oxygen regulator assembly**
- 29. flow baffle**
- 30. self-tapping screws**